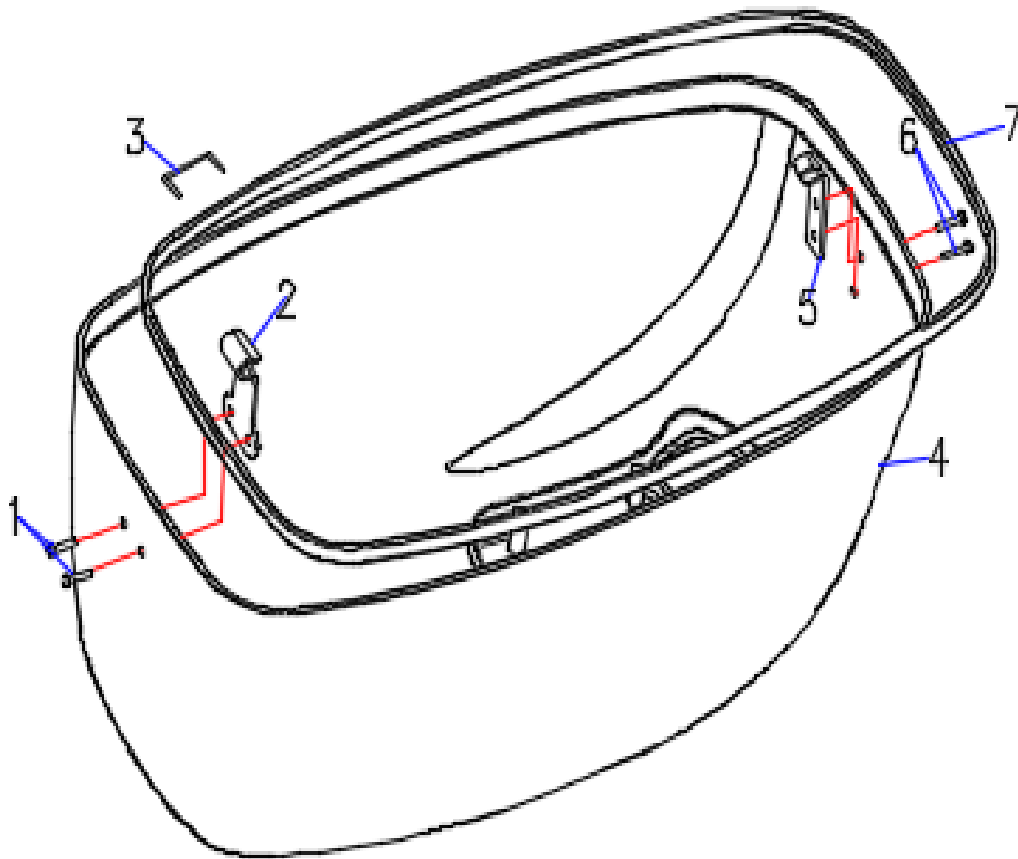


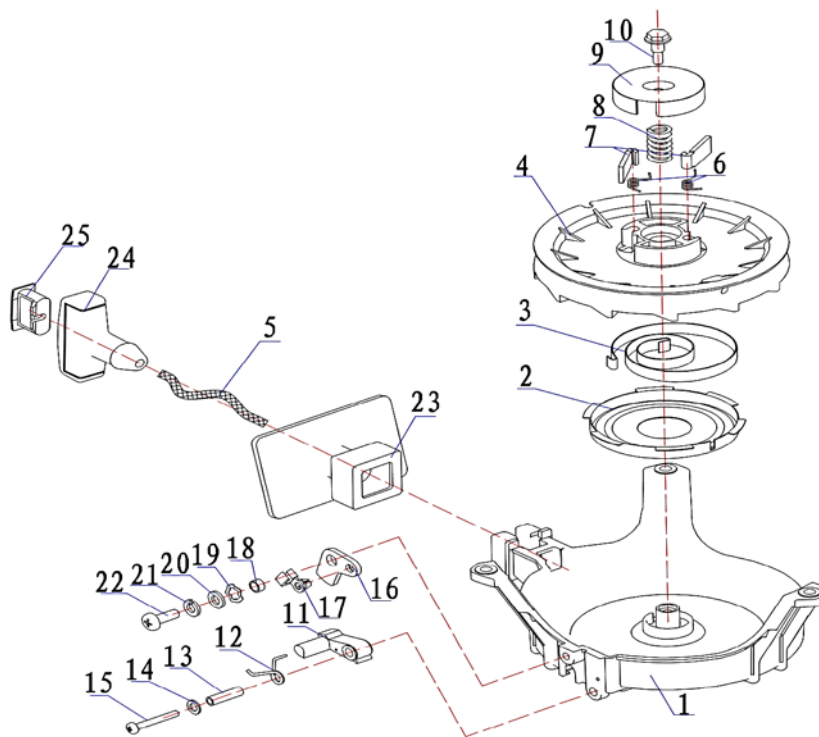


Мотор лодочный Marine Rocket MR9.9LHS (169 см³)



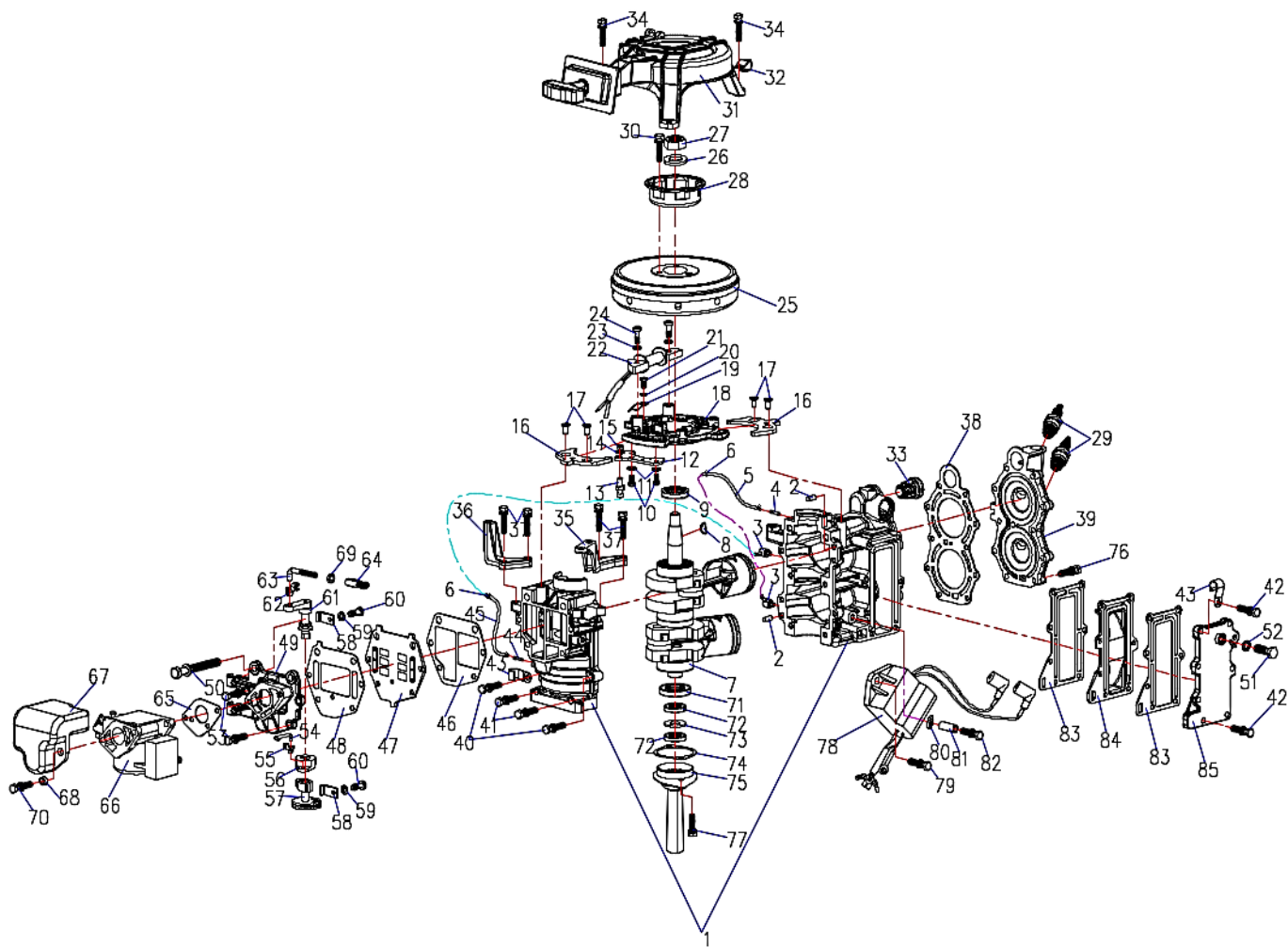
1.Капот

NO.	КОД MR	КОД №2	КОД OEM	НАИМЕНОВАНИЕ	ШТ	ШТ В УПК
1	MR0104227			Rivet	2	1
2	MR01080639		9.8F- II -07.03	Front lock hook	1	1
3	MR01090131BAG		15F-07.07	Bingding nail		
4	MR01070629		9.8F-07.01-G	Top cowling	1	1
5	MR01080640		9.8F- II -07.05	Rear lock hook	1	1
6	MR0104228		4*16	Rivet	2	1
7	MR01060623		9.8F-07.02	Rubber sealing strip	1	1
	MR030219	MR08010007		Top cowling assembled	1	1



2. Ручной стартер

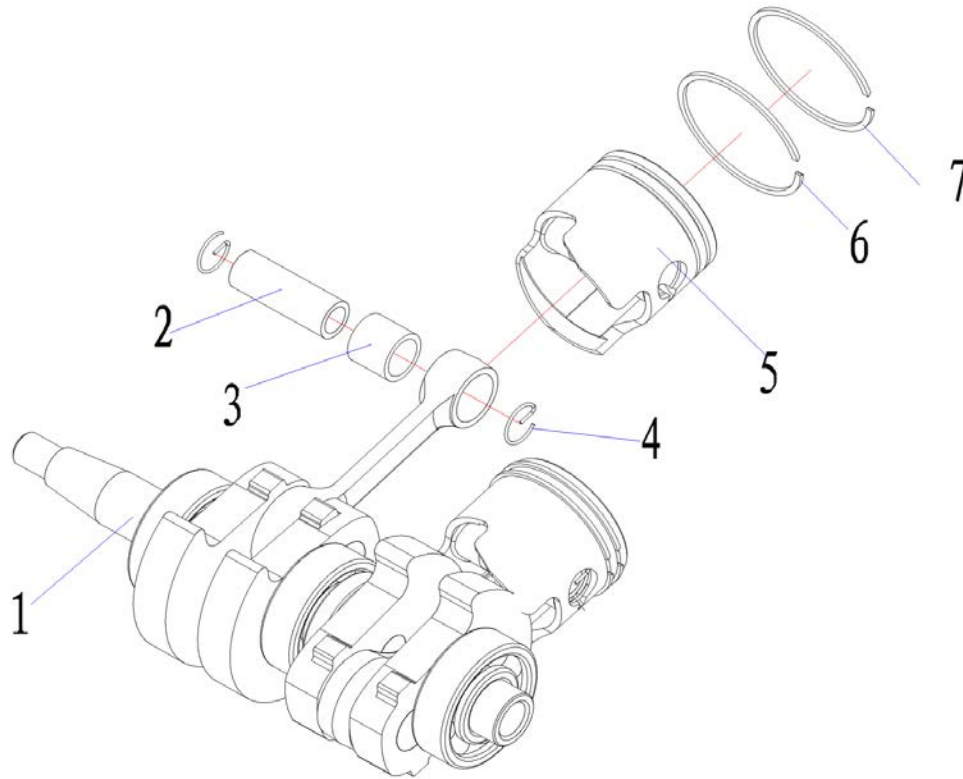
NO.	КОД MR	КОД №2	КОД OEM	НАИМЕНОВАНИЕ	ШТ	ШТ В УПК	ТОНАТСU
1	MR01010602		9.8F-01.01.19	Starter Cover	1	1	3B2-05105-0
2	MR01080602		9.8F-01.01.10	Plate,volute spring	1	1	3B2-05010-0
3	MR01090603		9.8F-01.01.09	Volute spring	1	1	
4	MR01070601		9.8F-01.01.07	Start wheel	1	1	3B2-05104-0
5	MR01100301BAG		F4-01.01.15	Start rope $\varnothing 3.5 \times 1800$ mm	1	2	3B2-05013-0
6	MR01090602BAG		9.8F-01.01.06	Drive pawl torsion spring	2	2	369-05007-0
7	MR010806260		9.8F-01.01.04	Drive pawl	2	1	3B2-05003-0
8	MR01090601BAG		9.8F-01.01.05	Plate spring	1	2	369-05012-0
9	MR01080601		9.8F-01.01.02	Starter platen	1	1	3B2-05006-0
10	MR01020601		9.8F-01.01.03	Bolt	1	1	3B2-05138-0
11	MR01070604		9.8F-01.01.16	Brake	1	1	338-05252-0
12	MR01090604BAG		9.8F-01.01.18	Torsional spring,brake	1	5	338-05216-0
13	MR01020604		9.8F-01.01.17	Copper bushing	1	1	338-05255-0
14	MR0104162BAG		GB/T96	Flat gasket 4	1	10	
15	MR0104102BAG			Cross recessed pan head tapping screws(M4*30)	1	10	
16	MR01070602BAG		9.8F-01.01.12	Brake guide	1	2	3B2-05253-0
17	MR01070603BAG		9.8F-01.01.13	Linkage connector	1	2	
18	MR01020602BAG		9.8F-01.01.14	Cushion tube	1	2	3M2-05215-0
19	MR01080604BAG		9.8F-01.01.15	Wave gasket	1	2	941403-0800
20	MR0104158BAG		GB/T848	Flat pad 6	1	10	
21	MR0104154BAG		GB/T93	Spring Washer	1	10	
22	MR01040831BAG			Pan head bolt with cross recess	1	10	
23	MR01060632		9.8F-01.01.11.01- II	Rubber bracket	1	1	3B2-05116-0
24	MR01060103		15F-01.01.08	Starter handle	1	1	3B2-05019-0
25	MR01070110BAG		15F-01.01.10	Cover,Starter handle	1	2	3B2-05131-0
	MR030106	MR08020004	9.8F-01.01.00.00	Recoil Starter Assy.	1	1	



3. Блок двигателя

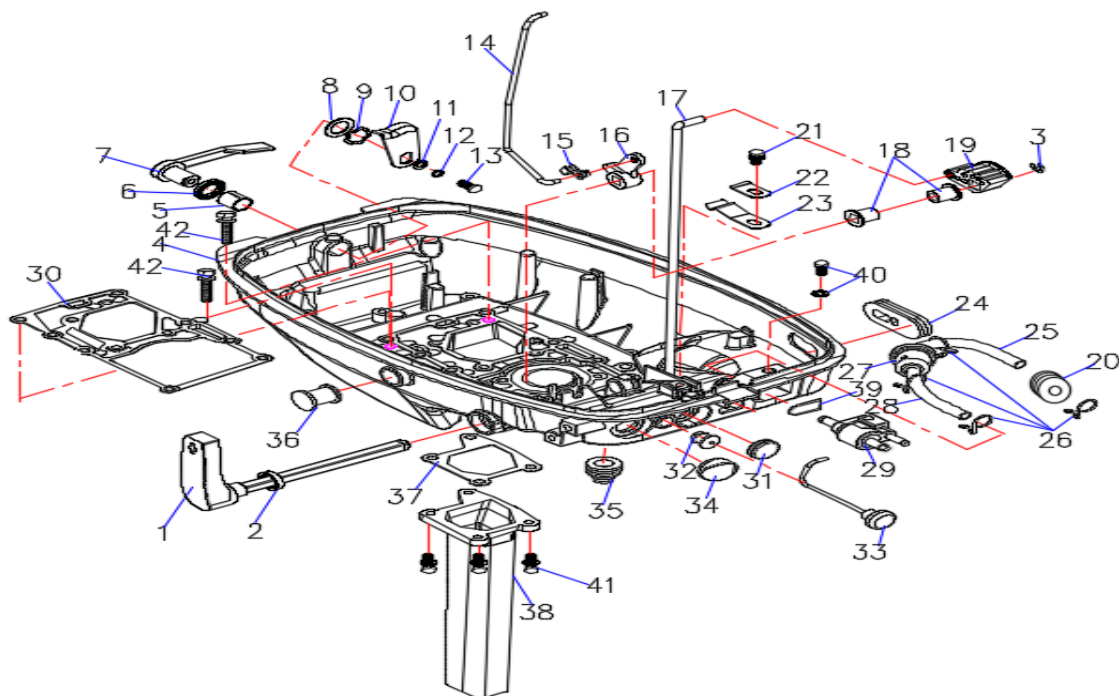
NO.	КОД MR	КОД №2	КОД OEM	НАИМЕНОВАНИЕ	ШТ	ШТ В УПК	ТОHATSU
1	MR01010613	MR090601010613	9.8F-01.06.18.00	Crankcase comp.(with crankcase cover)	1	1	3B2B01100-1
2	MR01020110BAG		15F-01.06.20	Locating Pin 2*6	2	10	345-01111-0
3	MR01020108		15F-01.06.03	Joint,air breather tube	2	1	338-01131-1
4	MR01020111BAG		15F-01.06.21	Air Tube fitting B	1	2	
5	MR01060602BAG		9.8F-01.06.15	Air tube(long)(3*7*232)	1	2	
6	MR01090137BAG		15F-01.06.06	Tube clip	4	10	
7				Crank connecting rod comp.	1		
8	MR01100602BAG		9.8F-01.06.27	Woodruff key,Crankshaft	1	2	
9	MR01050628		9.8F-01.06.28	Oil seal 35*20*7	1	1	
10	MR01040760BAG		GB/T818-2000	Cross recessed pan head tapping screws(M5*10)	2	10	
11	MR0104153BAG			Spring washer	2	10	
12	MR01080611		9.8F-01.03.10	Connecting plate,timing	1	1	
13	MR01020606		9.8F-01.03.11	Connecting Plate bolt	1	1	
14	MR0104154BAG		GB93-1987	Spring Washer	1	10	
15	MR0104138BAG		GB/T6170-2000	Hex Nut M6	1	10	
16	MR01070606BAG		9.8F-01.03.09	limited block,timing	2	2	3B2-06135-0
17	MR0104259BAG			Cross recessed countersunk head screws M6*12	4	10	
18	MR01010604	MR090601010604	9.8F-01.03.08	Timing controller	1	1	3B2-63711-0
19	MR01080610BAG		9.8F-01.03.07	Coil pressing plate	1	2	
20	MR0104152BAG		GB/T93-1987	Spring washer 4	1	10	
21	MR0104217BAG		GB/T818-2000	Pan head bolt with cross recess M4*8	1	10	
22	MR01030603		9.8F-01.03.06.00	Charging coil assy	1	1	3B2-06120-0
23	MR0104154BAG		GB/T93-1987	Spring Washer	2	10	
24	MR0104128BAG		GB/T818-2000	Screw M6*25	2	10	
25	MR01030602		9.8F-01.03.05.00	Flying wheel Assy.	1	1	
26	MR01080107BAG		15F-01.03.20	Flying wheel flat gasket	1	2	
27	MR01080638BAG		GB6170(10) M12*1.25	Flying wheel nut	1	2	
28	MR01080605		9.8F-01.01.20	Starter pulley	1	1	3B2-05901-0
29	MR01030309		BPR7HS	Spark Plug	2	1	9701-0-1010
30	MR0104403BAG		GB9074.1 M6*12(A2-70)	Bolt	3	10	
31	MR030106	MR08020004	9.8F-01.01.00.00	Recoil Starter Assy.	1	1	
32	MR01080210BAG		F15-01.03.00.42	fix clip,air breather tube	1	5	309-06972-0
33	MR01050104		15F-01.06.14	thermostat 50°C	1	1	350-01030-1
34	MR0104406BAG			Flat gasket&Bolt	3	10	
35	MR01010605		9.8F-01.06.01	Stand(LH),recoil starter	1	1	3B2S05101-0
36	MR01010606		9.8F-01.06.02	Stand(RH),recoil starter	1	1	3B2S05102-0

37	MR0104406BAG			Flat gasket&Bolt	4	10	
38	MR01050614		9.8F-01.06.10	Cylinder gasket	1	1	
39	MR01010610	MR090601010610	9.8F-01.06.09.01	Cylinder cover	1	1	3K9B01001-0
40	MR0104422BAG			hexagon headed bolt and flat plate Assy. M6*30	2	10	
41	MR0104423BAG			hexagon headed bolt and flat plate Assy.M6*30	2	10	
42	MR0104407BAG			Hexagonal bolt & flat gasket assy M6*25	7	10	
43	MR01080210BAG		F15-01.03.00.42	fix clip,air breather tube	2	5	309-06972-0
44	MR01020111BAG		15F-01.06.21	Air Tube fitting B	1	2	
45	MR01060603BAG		9.8F-01.06.16	Air tube(short)(3*7*123)	1	2	
46	MR01050607BAG		9.8F-01.02.04	seal gasket(outlet)	1	2	3B2-02105-0
47	MR010506060		9.8F-01.02.03.00	Air intake valve assy	1	1	3B2-02100-0
48	MR01050606BAG		9.8F-01.02.02	Seal Gasket(inlet)	1	2	3B2-02104-0
49	MR01010603	MR090601010603	9.8F-01.02.01	Air intake valve cover	1	1	3B2-02110-0
50	MR0104069		GB5787 M8*80(10.9)(S10)	Bolt	2	1	
51	MR01040311BAG			Hexagonal bolt M8*10	1	10	
52	MR01080401BAG		F2.5-01.01.00.04	Copper washer	1	2	
53	MR0104424BAG			hexagon headed bolt and flat plate Assy.M6*75	4	2	
54	MR01090605BAG		9.8F-01.04.02	Throttle lever	1	2	
55	MR01070116		15F-01.02.07	chock lever joint A1	1	1	
56	MR01070607BAG		9.8F-01.04.03	Connecting block,throttle	1	5	
57	MR01070608BAG		9.8F-01.04.04	Throttle cable connecting plate	1	2	
58	MR01080612BAG		9.8F-01.04.01	Controlled bracket clamp	2	2	
59	MR0104153BAG		GB/T93-1987	Spring washer	2	10	
60	MR0104080BAG		GB/T818-2000	Screw M5*20	2	10	
61	MR01070609BAG		9.8F-01.04.05	Rocker arm, timing	1	5	
62	MR01070610BAG		9.8F-01.04.07	Linkage connector	1	2	
63	MR01090606BAG		9.8F-01.04.06	"L " bolt	1	2	
64	MR01070117BAG		15F-01.03.12	Linkage connector	1	2	
65	MR01050630BAG		9.8F-01.07.02	Carburetor gasket	1	5	369-02011-0
66	MR01050629		9.8F-01.07.01	Carburetor Assy	1	1	3B2-03200-1
67	MR01070605		9.8F-01.02.05.00	Air intake silencer	1	1	3B2-02411-0
68	MR01020607BAG		9.8F-01.07.03	Cushion tube	2	5	
69	MR0104137BAG		GB/T6170	Hexagon nut M5	1	10	
70	MR01044123BAG			hexagon headed bolt and flat plate Assy.M6*85	2	10	
71	MR01050611		9.8F-01.06.04.02	Oil seal 20*40*7	1	1	3B2-00122-0
72	MR01050612		9.8F-01.06.04.03	Oil seal 12*28*5	2	1	3B2-01215-0
73	MR01080616BAG		9.8F-01.06.04.04	Oil seal gasket	1	2	3B2-01217-0
74	MR01050649BAG		9.8F-01.06.03	oil seal gasket	1	2	3B2-01214-0
75	MR01010607	MR090601010607	9.8F-01.06.04.01	oil seal housing	1	1	3B2-01210-0
76	MR0104422BAG			hexagon headed bolt and flat plate Assy. M6*30	11	10	
77	MR0104406BAG			Flat gasket&Bolt	2	10	
78	MR01030601		9.8F-01.03.01.00	CDI (Charging coil, spark plug lead assy.)	1	1	3B2-06170-0
79	MR0104406BAG			Flat gasket&Bolt	1	10	
80	MR0104171BAG			Flat gasket	1	10	
81	MR01020605BAG		9.8F-01.03.02	Cushion tube	1	5	
82	MR01044100BAG			hexagon headed bolt and flat plate Assy.M6*45	1	10	
83	MR01050613		9.8F-01.06.08	Seal Gasket(exhaust cap)	2	1	3K9-02305-0
84	MR01010609	MR090601010609	9.8F-01.06.07	Inner cap,exhaust	1	1	3K9B02302-0
85	MR01010608	MR090601010608	9.8F-01.06.06	Side cap,exhaust	1	1	3B2B02300-0



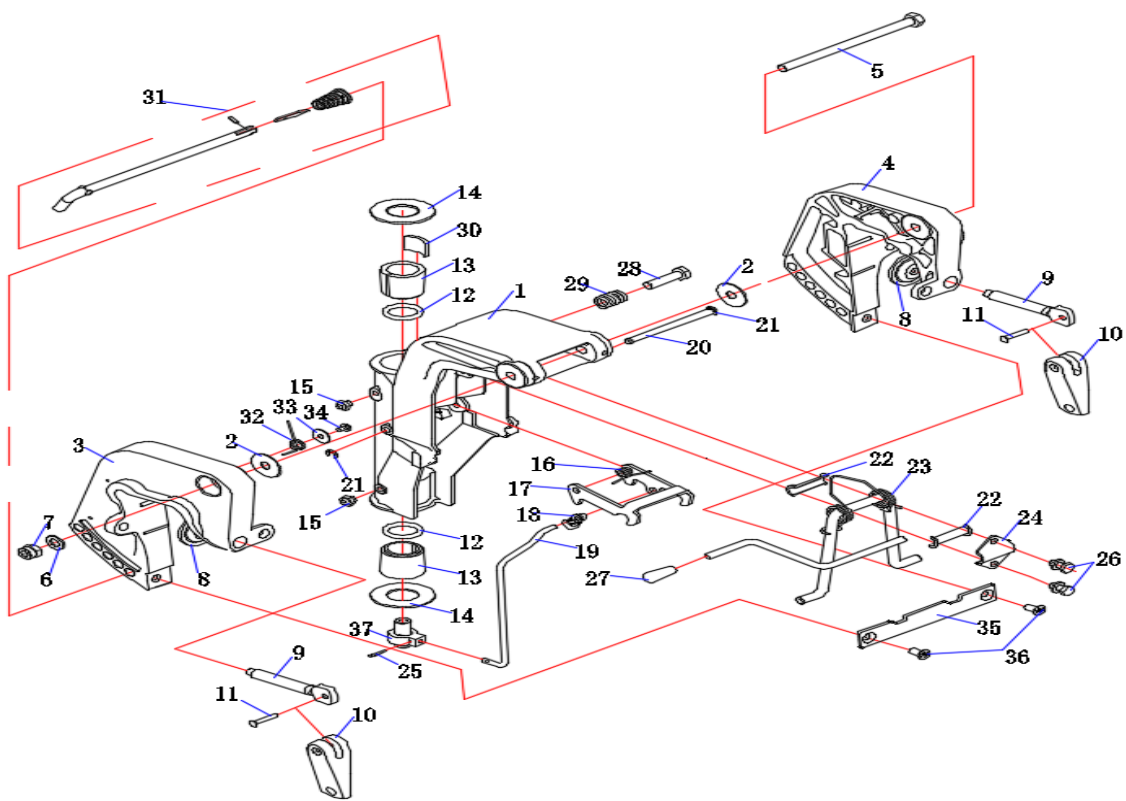
4. Коленвал

NO.	CODE	КОД №2	КОД OEM	НАИМЕНОВАНИЕ	ШТ	ШТ В УПК	TOHATSU
1	MR01050648		9.8F-01.06.20.00	Crankshaft connecting rod	1	1	3B2-00030-0
2	MR01050625BAG		9.8F-01.06.24	Piston Pin	2	2	3B2-00021-0
3	MR01050627		9.8F-01.06.26	needle bearing	2	1	338-00042-0
4	MR01050626BAG		9.8F-01.06.25	Piston circlip	4	10	350-00024-1
5	MR01050601B	MR01050601A	9.8F-01.06.21	Piston	2	1	3B2-00001-0
6	MR01050602		9.8F-01.06.22	First piston ring	2		3B2-00011-0
7	MR01050605		9.8F-01.06.23□	Second piston ring	2		



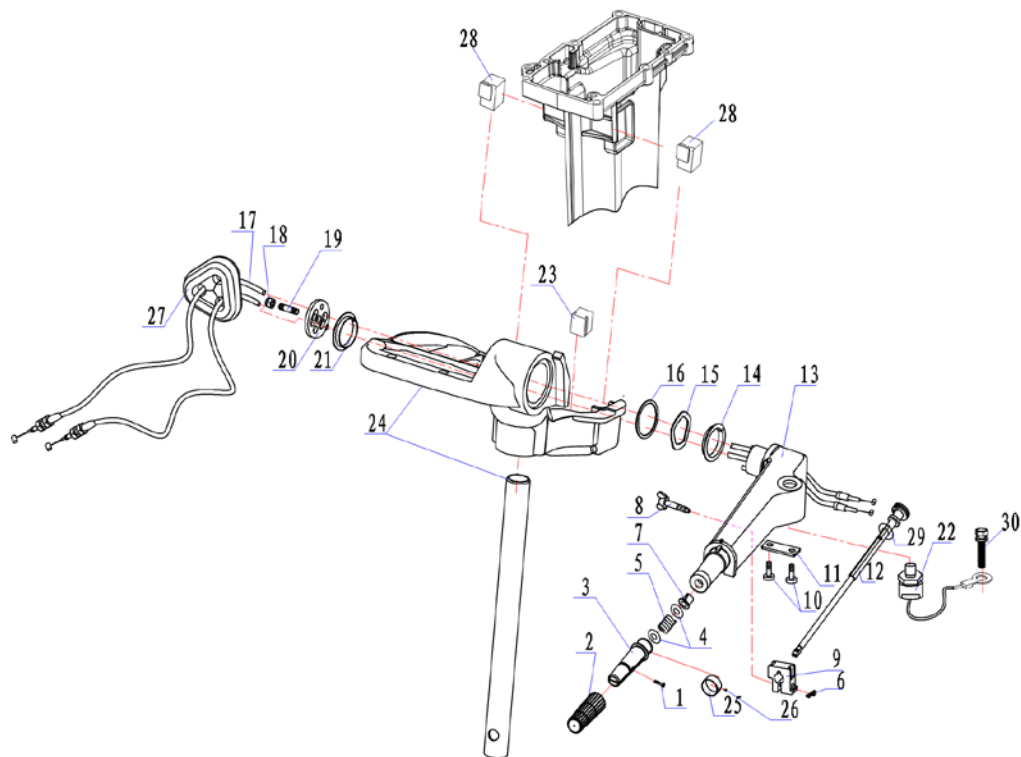
5. Поддон двигателя

NO.	КОД MR	КОД №2	КОД OEM	НАИМЕНОВАНИЕ	ШТ	ШТ В УПК	ТОHATSU
1	MR01070627		9.8F-01.05.03.00	Shift level assy.	1	1	3B2-66110-0
2	MR01060626BAG		9.8F-01.05.09	Rubber seal ring	1	2	
3	MR0104179CBAG		GB/T896 M6	Circlip	1	10	
4	MR090601010614	MR07060003	9.8F-02.10	Bottom cowling	1	1	3B2S67100-1
5	MR01070616BAG		9.8F-02.11.03	Bushing	1	2	369-67105-0
6	MR01060612BAG		9.8F-02.11.02	Rubber ring	1	2	338-67147-0
7	MR090601010615	MR07060004	9.8F-02.11.01	Front lock handle	1	1	369S67141-1
8	MR01070617BAG		9.8F-02.11.04	Gasket	1	2	
9	MR01080617BAG		9.8F-02.11.05	Wave gasket	1	2	941403-1400
10	MR01080618		9.8F-02.11.06	Lock plate	1	1	369-67142-0
11	MR0104164BAG		GB/T96	Flat gasket	1	10	
12	MR0104154BAG		GB/T93-1987	Spring Washer	1	10	
13	MR0104008BAG		GB/T5783-2000	Hex Head Bolt M6*12	1	10	
14	MR01090607		9.8F-01.05.05	brake linkage	1	1	
15	MR01070603BAG		9.8F-01.01.13	Linkage connector	1	2	3B2-66241 -0
16	MR01070612BAG		9.8F-01.05.04	Lingage joint	1	5	3B2-05211-1
17	MR01090608		9.8F-01.05.10	Upper Shift lever	1	1	3B2-66211-0
18	MR01070613BAG		9.8F-01.05.06	Bushing	2	2	350-67101-0
19	MR01070614BAG		9.8F-01.05.07	Shift block	1	2	
20	MR01060605BAG		9.8F-01.07.06	Rubber Bushing	1	5	
21	MR0104403BAG			Bolt	1	10	
22	MR01080614BAG		9.8F-01.05.02	Pressing plate	1	2	3C8-66116-0
23	MR01080613		9.8F-01.05.01	Limit Spring plate,	1	1	3C8-66112-0
24	MR01060609BAG		9.8F-02.05	plug A	1	2	353-67162-0
25	MR01060604BAG		9.8F-01.07.04	Bends Fuel hose	1	2	
26	MR01090139BAG			Clamp φ10	4	10	
27	MR01070518		F9.9-01.04.03.00	Fuel filter assy	1	1	
28	MR01060312BAG		F4-01.07.09	fuel hose 5*10*76	1	2	
29	MR01100106		15F-01.07.01.00	Fuel hose joint assy	1	1	3B2-70260-1
30	MR01050631		9.8F-02.01	seal gasket (engine seating)	1	1	
31	MR01061408BAG		5F-02.02	Plug A	1	2	
32	MR01060608BAG		9.8F-02.04	Choke rod sheath	1	2	
33	MR01090609		9.8F-02.03.00	choke lever assy	1	1	3B2-67151-0
34	MR01060613BAG		9.8F-02.12	Rubber plug	1	2	
35	MR01060611BAG		9.8F-02.09	Sleeve	1	5	345-66226-0
36	MR01060607BAG		9.8F-02.02	Plug	1	5	3B2-67187-0
37	MR01050633BAG		9.8F-05.01	Seal Gasket (exhaust)	1	5	3B2-02312-0
38	MR01010620		9.8F-05.02	Exhaust pipe	1	1	3B2-02311-0
39	MR01060517BAG		F9.9-01.04.00.13	fuel hose joint Washer	1	2	
40	MR0104407BAG			Hexagonal bolt & flat gasket assy M6*25	1	10	
41	MR0104405BAG			hexagon headed bolt and flat plate M6*18	4	10	
42	MR0104406BAG			Flat gasket&Bolt	2	10	



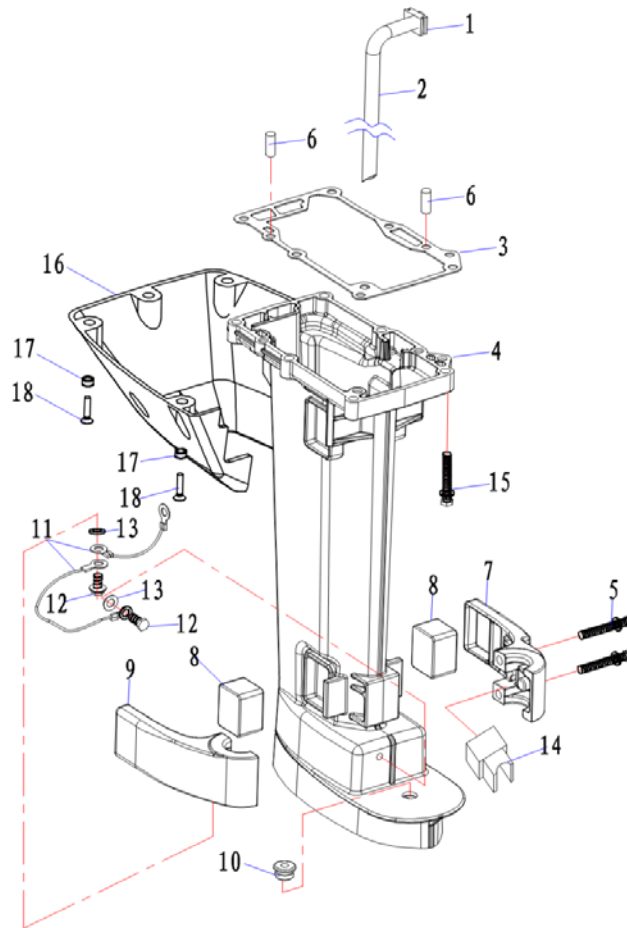
6. Кронштейн струбцины

NO.	КОД MR	КОД №2	КОД OEM	НАИМЕНОВАНИЕ	ШТ	ШТ В УПК	TOHATSU
1	MR090601010616	MR01010616	9.8F-03.05.01	Swivel bracket	1	1	3B2S62010-0
2	MR01080635BAG		9.8F-03.05.10	Big Flat Pad	2	2	307-62116-0
3	MR090601010617	MR01010617	9.8F-03.05.14.01	Clamp bracket(LH)	1	1	369S62113-2
4	MR090601010618	MR01010618	9.8F-03.05.14.02	Clamp bracket(RH)	1	1	369S62112-3
5	MR01040480BAG		GB5782 M8*125(A2-70)	Hex Head Bolt M8*125	1	2	
6	MR010417109BAG			Flat gasket	1	10	
7	MR0104147BAG			Hexagon nylon lock nut	1	10	
8	MR01080118BAG		15F-03.05.02.03	Clamp plate	2	2	332-62101-0
9	MR01020609		9.8F-03.05.14.03	Transom Clamp Bolt	2	1	369-62103-0
10	MR01070140BAG		15F-03.05.02.04	Clamping handle	2	2	307S62102-1
11	MR0104199BAG		GB/T1015	Rivet	2	10	
12	MR01060627BAG		9.8F-03.02	O ring	2	2	3B2-62415-0
13	MR01070618BAG		9.8F-03.01	Bushing	2	2	3B2-62417-0
14	MR01070619BAG		9.8F-03.03	Gasket	2	5	3B2-62422-0
15	MR01100109BAG		JB/7940.1-95	Oil cup	2	2	
16	MR01090613BAG		9.8F-03.05.08	Torsional spring	1	2	3B2-66315-0
17	MR01080621		9.8F-03.05.06	locking Hook	1	1	3B2-66322-0
18	MR01070610BAG		9.8F-01.04.07	Linkage connector	1	2	345-05224-0
19	MR01090612		9.8F-03.05.07	Locking rod	1	1	3B2-66305-0
20	MR01020608		9.8F-03.05.05	pin shaft	1	1	3B2-66321-0
21	MR0104178BAG		GB/T896	Circlip	2	10	
22	MR01070620BAG		9.8F-03.05.04	friction gasket	2	5	393-62437-0
23	MR01080634		9.8F-03.05.02.00	Tilt adjustment bracket	1	1	3B2S62431-3
24	MR01080620		9.8F-03.05.03	Brake adjusting Plate	1	1	369-62439-0
25	MR0104186BAG		GB/T91-2000	Cotter pin	1	10	
26	MR0104403BAG			Bolt	2	10	
27	MR01060322BAG		F4-03.05.02.02	Handle rubber sleeve	1	2	369-62433-1
28	MR0104036BAG		GB/T5783-2000	Hex Head Bolt M8*25	1	5	
29	MR01090614BAG		9.8F-03.05.09	Spring	1	2	346-62421-0
30	MR01080619		9.8F-03.04.01	Friction plate	1	1	345-62441-0
31	MR010906220		9.8F-03.05.11.00	Trim rod Assy	1	1	350-62121-0
32	MR01090617BAG		9.8F-03.05.13	Torsional spring	1	2	369-62146-1
33	MR01080624BAG		9.8F-03.05.14	Big washer	1	2	369-62147-0
34	MR0104217BAG		GB/T818-2000	Pan head bolt with cross recess M4*8	1	10	
35	MR01080623		9.8F-03.05.12	Clamping bracket connecting plate	1	1	3B2-62118-0
36	MR0104259BAG		GB819 M6*12	screws M6*12	2	10	
37	MR01070621BAG		9.8F-06.02	Sliding sleeve	1	5	344-67178-0



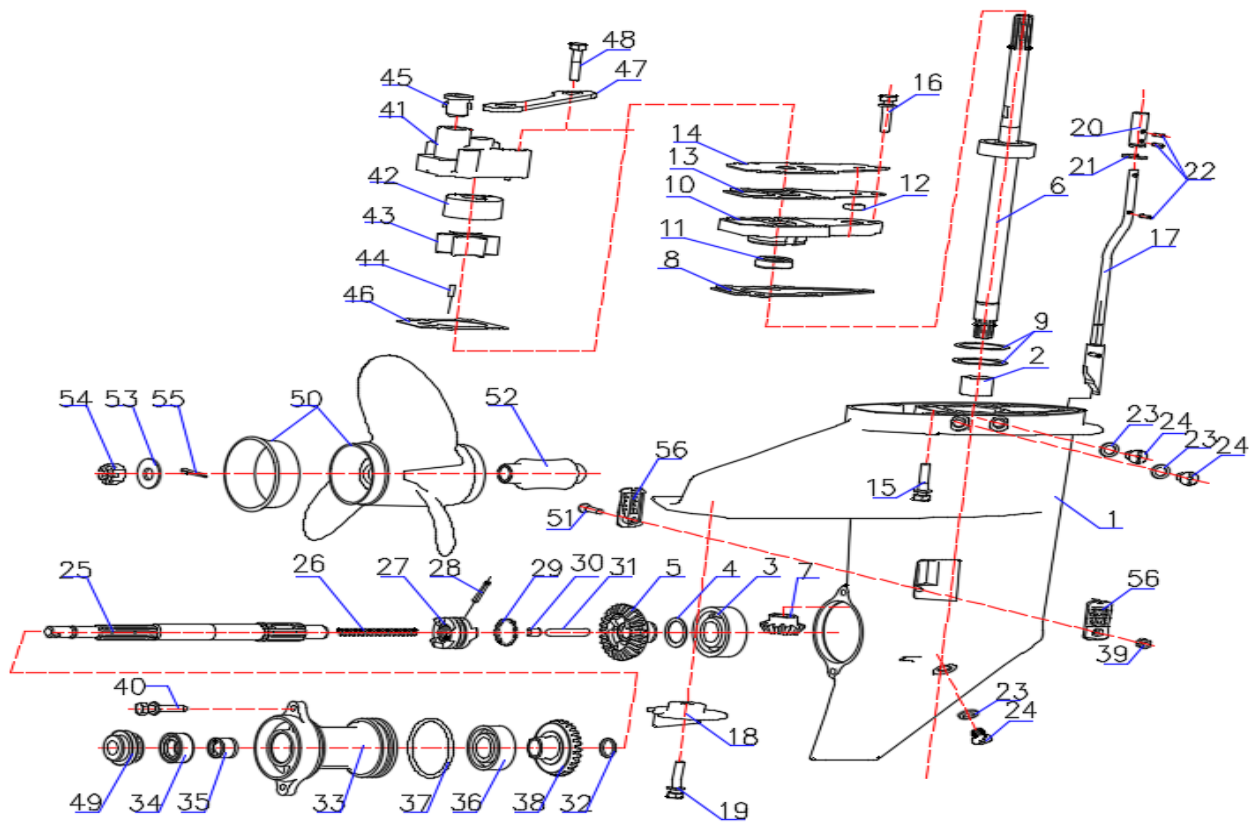
7. Поворотный кронштейн

NO.	КОД MR	КОД №2	КОД OEM	НАИМЕНОВАНИЕ	ШТ	ШТ В УПК	TOHATSU
1	MR0104117BAG		GB/T820	Screw M5*25	1	10	
2	MR01060124		15F-04.07.14	Handle Rubber sleeve	1	1	
3	MR01070154		15F-04.07.13	Handle	1	1	
4	MR0104160BAG		GB/T848	Flat Pad 10	2	10	
5	MR01090124BAG		15F-04.07.11	Spring	1	2	
6	MR01041850BAG		GB/T91	Cotter pin 1.6*12	1	10	
7	MR01070153BAG		15F-04.07.12	Bushing	1	2	
8	MR01020126		15F-04.07.09	Resistance adjustment knob	1	1	
9	MR01070152BAG		15F-04.07.08	locking segment	1	5	
10	MR0104077BAG			Screw M5*12	2	10	
11	MR01080131BAG		15F-04.07.07	Throttle lever plate	1	2	
12	MR01070151		15F-04.07.05	Throttle Lever	1	1	
13	MR090701010114	MR07010005	15F-04.07.01	Steering handle	1	1	
14	MR01070150BAG		15F-04.06	Open nylon bushing(long)	1	2	
15	MR01080130BAG		15F-04.05	Handle wave washer	1	2	
16	MR01070148BAG		15F-04.03	Nylon washer	1	2	
17	MR01100603		9.8F-04.13	Throttle cable	2	1	
18	MR0104147BAG			Hexagon nylon lock nut	1	10	
19	MR01020125BAG		15F-04.07.02	Double screw bolt (short)	1	2	
20	MR01080129		15F-04.02	Steering handle plate	1	1	
21	MR01070149BAG		15F-04.04	Open nylon bushing(short)	1	2	
22	MR01100112		15F-04.07.03	emergency stop switches assy	1	1	
23	MR01060618BAG		9.8F-05.08	Damper C	1	2	
24	MR090601010619	MR07060008	9.8F-04.15.01	Steering bracket	1	1	
25	MR01100366BAG		F4-04.11- II	Indicator,throttle	1	2	
26	MR010408809BAG		GB/T845-86	Screw	1	10	
27	MR01060615BAG		9.8F-04.14	Cables fixer	1	5	
28	MR01060619		9.8F-05.09	Damper D	2	1	
29	MR0104161BAG		GB/T848	Flat gasket 12	1	10	
30	MR0104403BAG			Bolt	1	10	
	MR030803	MR08100005	9.8F-04.00.00.00	Tiller Assy.	1	1	



8. Дейдвуд

NO.	КОД MR	КОД №2	КОД OEM	НАИМЕНОВАНИЕ	ШТ	ШТ В УПК	TOHATSU
1	MR01060620BAG		9.8F-05.11	Hose seal ring	1	2	
2	MR01100605		9.8F-05.10-S	Hose (S)	1	1	3B2-65100-0
3	MR01050632		9.8F-02.08	Seal gasket	1	1	
4	MR090601010623	MR07060011	9.8F-05.12-S	Upper casing (S)	1	1	
5	MR0104410BAG			Bolt	2	10	
6	MR01020509BAG		F9.9-05.00.00.05	Locating pin 6*19	2	2	
7	MR090601010622	MR07060010	9.8F-05.04	Damper housing B	1	1	
8	MR01060616		9.8F-05.05	Damper A	2	1	
9	MR090601010621	MR07060009	9.8F-05.03	Damper housing A	1	1	
10	MR01060621BAG		9.8F-05.13	Gear shift cam rod Seal ring	1	2	
11	MR01100604		9.8F-05.07	Cable connector	2	1	
12	MR0104318BAG		GB823 M6*12	Cross recessed Pan head screws M6*12	2	10	
13	MR0104158BAG		GB/T848-85	Flat pad 6	2	10	
14	MR01060617BAG		9.8F-05.06	Damper B	1	2	
15	MR0104409BAG			Hexagonal bolt & flat gasket assy M6*35	6	10	
16	MR01070615		9.8F-01.08.00.00	Decoration cover	1	1	
17	MR01020602BAG		9.8F-01.01.14	Cushion tube	5	2	
18	MR01040831BAG			Pan head bolt with cross recess	5	10	



9. Редуктор

NO.	КОД MR	КОД №2	КОД OEM	НАИМЕНОВАНИЕ	ШТ	ШТ В УПК	TOHATSU
1	MR090601010601	MR07060001	9.8F-06.31	Lower casing	1	1	3B2S60000-0
2	MR01050645		9.8F-06.30	Needle bearing TLA1516	1	1	3V1-60211-0
3	MR01050643		9.8F-06.28	deep groove ball bearing	1	1	9601-0-6204
4	MR01080518BAG		F9.9-06.02.00.02	Reverse gear shim	3	2	369-64014-0
5	MR01050642A		9.8F-06.27	Forward gear	1	1	3B2-64010-0
6	MR01050651		9.8F-06.23.00-L	Drive shaft (L)	1	1	
	MR01050638		9.8F-06.23.00-S	Drive shaft Assy.(S)	1	1	3B2-64301-0
7	MR01050644A		9.8F-06.29	Pinion gear	1	1	3B2-64020-0
8	MR01050636BAG		9.8F-06.20	seal gasket	1	2	3B2-65020-0
9	MR01080636BAG		9.8F-06.22	Shim	1	5	369-64014-0
10	MR01010627	MR090601010627	9.8F-06.19	water pump seat	1	1	3B2-65017-0
11	MR01050637		9.8F-06.21	Double lip Oil seal	1	1	309-60111-0
12	MR01060135BAG		15F-06.03.03	Shift lever o-ring	1	2	
13	MR01050635BAG		9.8F-06.14	Seal Gasket	1	2	3B2-65029-0
14	MR01080627		9.8F-06.13	Water pump Plate,	1	1	3B2-65025-0
15	MR0104409BAG			Hexagonal bolt & flat gasket assy M6*35	4	10	
16	MR0104407BAG			Hexagonal bolt & flat gasket assy M6*25	1	10	
17	MR01090624		9.8F-06.24.00-S	Gear shift cam lever (S)	1	1	
	MR01090625		9.8F-06.24.00-L	Gear shift cam lever (L)	1	1	
18	MR01010626		9.8F-06.08	Trim tab	1	1	
19	MR0104406BAG			Flat gasket&Bolt	1	10	
20	MR01020610		9.8F-06.01	Connecting shaft	1	1	
21	MR0104183BAG		GB/T896	Circlip	1	10	
22	MR0104194BAG		GB879 3*10	Elastic cylindrical pin 3*10	3	10	
23	MR01080139BAG		15F-06.01.04	Gasket	3	10	332-60006-0
24	MR01020128BAG		15F-06.01.03	plug,straight screw	3	2	332-60005-1
25	MR01050603		9.8F-06.26.02	Propeller shaft	1	1	3B2-60003-0
26	MR01090619BAG		9.8F-06.26.05	Compression spring	1	2	3B2-64221-0
27	MR01050604		9.8F-06.26.03	clutch	1	1	3B2-64215-0
28	MR01020506BAG		F9.9-06.00.00.19	Pin	1	2	301-64217-0
29	MR01090508BAG		F9.9-06.00.00.20	Circlip	1	2	3B2-64221-0
30	MR01020615BAG		9.8F-06.26.07□	Adjustment plunger	1	5	3B2-64222-0
31	MR01020614		9.8F-06.26.06	Gear shift plunger	1	1	369-64223-0
32	MR01080629BAG		9.8F-06.26.01	gasket	1	2	
33	MR090601010628	MR07060013	9.8F-06.25.01	Lower casing Cap	1	1	3B2S60101-0
34	MR01050641		9.8F-06.25.06	Double lip Oil seal	1	1	369-60111-0
35	MR01050540		F9.9-06.02.00.03	Oil bearing	1	1	
36	MR01050534		F9.9-06.00.00.15	Bearing 6004C2	1	1	9601-0-6004

37	MR01060536		F9.9-06.02.00.05	O-ring(50.5*3.1)	1	1	345-65015-0
38	MR01050639A		9.8F-06.25.03	Reverse gear	1	1	3B2-64030-0
39	MR0104144BAG			Bolt	1	10	
40	MR0104406BAG			Flat gasket&Bolt	2	10	
41	MR01070623		9.8F-06.09.01	Water pump housing	1	1	3B2-65016-0
42	MR01080626		9.8F-06.09.02	Water pump inner shell	1	1	3B2-65011-0
43	MR01060630		9.8F-06.10.00	Impeller assy.	1	1	3B2-65021-1
44	MR01020613BAG		9.8F-06.12	Impeller pin,water pump	1	2	
45	MR01060622BAG		9.8F-06.15	Seal ring(lower),hose	1	2	331-65014-0
46	MR01050634BAG		9.8F-06.11	Gasket,water pump casing	1	2	
47	MR01080641BAG		9.8F-06.05	Water pump housing plate	2	2	
48	MR01040170BAG			Bolt	4	10	
49	MR01020611		9.8F-06.03	Propeller pad	1	1	3B2-64231-0
50	MR010106240			Propeller Assy.	1	1	
	MR030306	MR08150003	9.8F-06.06.00.00	Propeller Assy.	1	1	3B2-64517-0
51	MR0104102BAG			Cross recessed pan head tapping screws(M4*30)	1	10	
52	MR01060625		9.8F-06.06.03.00	Internal splined assy.	1	1	
53	MR0104166BAG		GB/T96	Gasket	1	10	
54	MR01020134		15F-06.14.06	Nut	1	1	369-64121-0
55	MR0104189BAG			Cotter Pin 2.5*20	1	10	
56	MR01070622BAG		9.8F-06.07	Water inlet cap	2	5	
	MR030511	MR08140010	9.8F(S)-06.00.00.00	low unit (S)	1	1	
	MR030512	MR08140009	9.8F(L)-06.00.00.00	low unit (L)	1	1	

10. Аксессуары

NO.	КОД MR	КОД №2	КОД OEM	НАИМЕНОВАНИЕ	ШТ	ШТ В УПК	TOHATSU
1	MR01020128BAG		15F-06.01.03	thread plug, straight screw	1	2	90340-08002
2	MR0104189BAG		GB91 2.5*20	cotter pin	1	10	
3	MR0104194BAG		GB879 3*10	Cylindrical pin	2	10	
4	MR01060630		9.8F-06.10.00	impeller Assy.	1	1	3B2-65021-1
5	MR01070168BAG		15F-09.01	emergency starting handle	1	2	
6	MR01070229		F15-08.00.00.00	fuel case Assy.	1	1	
7	MR01080139BAG		15F-06.01.04	thread plug seal gasket	2	10	90430-08020
8	MR01100103		15F-01.01.22	starter rope	1	1	
9	MR01100119		15F-08.01.06.00	Fuel Hose With Connector	1	1	
10	MR01100134		15F-09.00	toolkit	1	1	